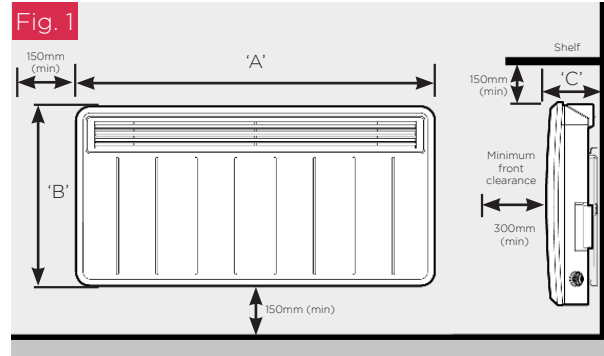


Dimensions

| MODEL | A | B | C | D | E |
|-----------|-------|-------|-------|-------|-------|
| PLX050ENC | 450mm | 430mm | 108mm | 116mm | 269mm |
| PLX075ENC | 620mm | 430mm | 108mm | 286mm | 269mm |
| PLX100ENC | 620mm | 430mm | 108mm | 286mm | 269mm |
| PLX125ENC | 690mm | 430mm | 108mm | 356mm | 269mm |
| PLX150ENC | 690mm | 430mm | 108mm | 356mm | 269mm |
| PLX200ENC | 860mm | 430mm | 108mm | 526mm | 269mm |



THESE INSTRUCTIONS SHOULD BE READ CAREFULLY AND RETAINED FOR FUTURE REFERENCE

IMPORTANT SAFETY ADVICE

When using electrical appliances, basic precautions should always be followed to reduce the risk of fire, electrical shock, and injury to persons, including the following:

IMPORTANT: The wall bracket supplied with the appliance must be used.

WARNING: Do not use this heater in the immediate surroundings of a bath, a shower or a swimming pool

IMPORTANT: If the heater is installed in a room containing a bath or shower, it must be so installed that switches and other controls cannot be touched by a person using a bath or shower.

WARNING: In order to avoid overheating, do not cover the heater. Do not place material or garments on the heater, or obstruct the air circulation around the heater, for instance by curtains or furniture, as this could cause overheating and a fire risk.

NEVER cover or obstruct in any way the heat outlet slots at the top of the heater or the air inlet slots in the base of the heater.

CAUTION: Some parts of this product can become very hot and cause burns. Particular attention has to be given where children and vulnerable people are present.

This appliance can be used by children aged from 8 years and above and by persons with reduced physical, sensory or mental capabilities or lack of experience and knowledge if they have been given supervision or instruction concerning use of the appliance in a safe way and understand the hazards involved.

Cleaning and user maintenance shall not be carried out by children without supervision. Children of less than 3 years should be kept away unless continuously supervised.

Children aged from 3 years and less than 8 years shall only switch on/off the appliance provided that it has been placed or installed in its intended normal operating position and they have been given supervision or instruction concerning use of the appliance in a safe way and understand the hazards involved.

Children aged from 3 years and less than 8 years shall not plug in, regulate and clean the appliance or perform user maintenance.

Note that due care and consideration must be taken when using this heater in series with a thermal control, a program controller, a timer or any other device that switches on the heat automatically, since a fire risk exists when the heater is accidentally covered or displaced. If the supply cord is damaged it must be replaced by the manufacturer or service agent or a similarly qualified person in order to avoid a hazard

WARNING: Servicing and product repairs should only be undertaken by the manufacturer's approved service agent or a similarly qualified person, using only exact manufacturer approved spare parts.

IMPORTANT: The supply circuit to the heater must incorporate a double pole isolating switch having a contact separation of at least 3mm.

This product contains a replaceable battery.

WARNING: KEEP BATTERIES OUT OF REACH OF CHILDREN.

WARNING: Packaging should be disposed of responsibly as the EPS used could be a potential choking hazard for children.

WARNING: Do not locate the heater immediately below a fixed socket outlet or connection box

Energy Related Product Directive

| Model Identifier(s): | | PLX050ENC | PLX075ENC | PLX100ENC | PLX125NCE | PLX150NCE | PLX200ENC |
|--|--------|-----------|-----------|-----------|-----------|-----------|-----------|
| Nominal heat output | Phom | 0.50kW | 0.75kW | 1.00kW | 1.25kW | 1.50kW | 2.00kW |
| Minimum heat output (indicative) | Pmin | N.A | N.A | N.A | N.A | N.A | N.A |
| Maximum heat output | Pmax,c | 0.50kW | 0.75kW | 1.00kW | 1.25kW | 1.50kW | 2.00kW |
| Auxiliary electricity consumption | | | | | | | |
| At nominal heat output | elmax | 0.00 | 0.00 | 0.00 | 0.00 | 0.00 | 0.00 |
| At minimum heat output | elmin | 0.00 | 0.00 | 0.00 | 0.00 | 0.00 | 0.00 |
| In standby mode | eISB | <0.0005 | <0.0005 | <0.0005 | <0.0005 | <0.0005 | <0.0005 |
| Type of heat output / room temperature control | | | | | | | |
| Electronic heat charge control with room and/or outdoor temperature feedback | | Yes | | | | | |
| Other control options | | | | | | | |
| Room temperature control, with open window detection | | Yes | | | | | |
| With adaptive start control | | Yes | | | | | |

General Information

The heater requires a Dimplex Wall Controller (DWC) to be installed for room comfort control adjustment. The heater is designed for wall mounting using the wall bracket supplied. It should only be operated when in the upright position as shown (see Fig. 1 on page 1). All models are splash proof to IP24. Before connecting the heater check that the supply voltage is the same as that stated on the heater.

Wall Mounting

IMPORTANT The wall bracket supplied with the heater must be used and the heater must be installed in the correct orientation. The fixings should be used to secure the bracket to the particular wall on which the heater will be installed. The heater should be positioned observing the minimum clearances stated around the heater (see Fig. 1 on page 1).

To mount the heater to the wall:

1. Remove wall mounting bracket from the back of the heater by depressing the spring latch at the side of each bracket - see Fig. 2.
2. Fix the wall bracket securely to the wall through the four screw holes.
3. Present the heater to the wall bracket and engage bottom slots in the back with bracket hooks.
4. Press heater into locked position and ensure the clips on the top are engaged.
5. Remove protective film from the user interface.

WARNING: This product is heavy and care should be taken in installation

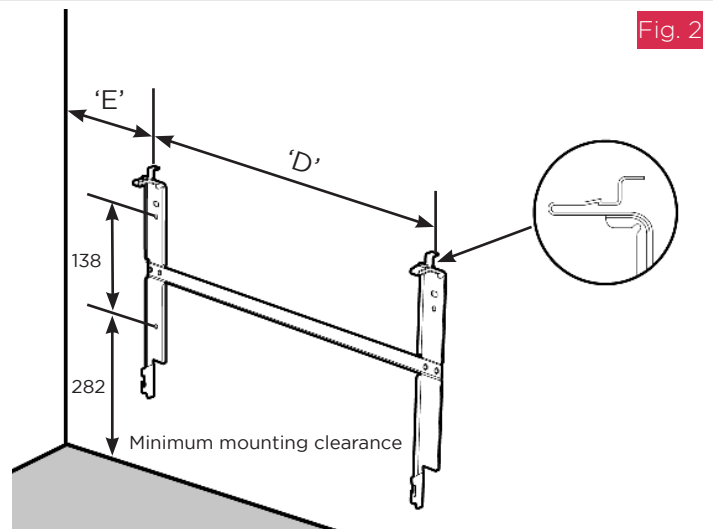


Fig. 2

Wall Mounting



IMPORTANT: Please register your product without delay. Simply scan this QR code using your smartphone, or go to <https://www.dimplex.co.uk/register>.
If you do not have access to the internet, please call us on 0344 879 3588

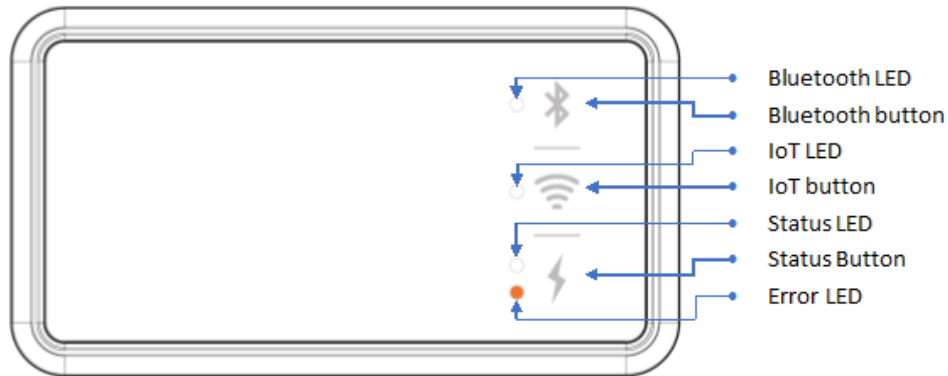
Quick Start Guide

How does the heater control work?

The PLXENC panel heater has the full feature-set of the PLXE panel heater, without the on-board controls. Programming of the heater can be made via the ConfigR app, and controlled via the DWC (Dimplex Wall Controller), which must be purchased separately.

Operation

The user interface is located at the top of the heater consisting of three capacitive buttons for connectivity and four LEDs to communicate the operation. All further operation will be made via the DWC (Dimplex Wall Controller).



First Time Start Up

1. Plug in the product to power supply and turn on
2. Status LED will turn on to indicate product is on. The product will be in frost protect mode by default.
3. Connect the product via Bluetooth
 - 3.1. To connect the product via ConfigR, install the ConfigR app and follow the instructions. To enable Bluetooth on the product, see 'Bluetooth Pairing'.
 - 3.2. To connect via Dimplex Control app, install the RF Module. To do this, unhinge the heater from the wall using the clips shown in Fig.2 and locate the battery module. Slide the catch and pull module from the controls. Replace the battery tray with the RFM. Power on the product and follow instructions in the app.
 - 3.3. Use the Bluetooth app to connect the panel heater to the DWC (Dimplex Wall Controller).

Bluetooth Pairing

Press and hold the Bluetooth capacitive button for 3 seconds to begin broadcasting a signal to be paired via Bluetooth. The Bluetooth LED will then flash to indicate the heater is in pairing mode. Once paired the Bluetooth LED will remain lit.

NOTE: If no connection is made within 2 minutes, the product will stop broadcasting a Bluetooth signal.

INSTALLER INFORMATION

As an installer, the ConfigR app will allow you to seamlessly install, commission and maintain heating systems.

- Installation and configuration settings
- Maintenance
- Viewing error codes and diagnostic reports
- Downloading and applying software updates



This QR Code will link you directly to the ConfigR app on the Android and Apple app stores for detailed information on heater setup, programming and fault code analysis assistance.

Your Guarantee



To view the full guarantee terms and conditions scan this QR code using your smartphone or go to <https://www.gdhv.co.uk/guarantee-terms-and-conditions>.

Your product is manufactured by Glen Dimplex UK operating as Glen Dimplex Heating & Ventilation. GDHV designs and manufactures products to ensure they deliver reliable service for normal use in domestic dwellings and, where specified by us, in light commercial premises.

GDHV products are individually tested before leaving the factory, Your product comes with a 2 year parts and labour guarantee for repair or replacement of faulty goods and/or partial refund in the event that a repair or replacement is not available.

Your guarantee is provided by Glen Dimplex UK Ltd operating as Glen Dimplex Heating & Ventilation Ltd, Millbrook House, Grange Drive, Southampton SO30 2DF. Terms and conditions apply.

The GDHV guarantee does not in any way diminish or affect your statutory consumer rights in connection with your product.

If you experience a problem with your product during or after the guarantee period, visit our online help centre:



support.dimplex.co.uk

Please note for support you will need the model and serial number of your product and a description of the fault which has occurred.



Important: For electrical products sold within the European Community. At the end of the electrical products useful life it should not be disposed of with household waste. Please recycle where facilities exist. Check with a Local Authority or retailer for recycling advice in your country. Batteries should be disposed of or recycled in accordance with WEEE Directive 2012/19/EU. Packaging should be recycled where possible.

www.dimplex.co.uk

 **Dimplex**[®]

Glen Dimplex Heating and Ventilation
Millbrook House, Grange Drive, Hedge End, Southampton, SO30 2DF

Glen Dimplex Europe, Airport Road, Cloghran, Co. Dublin K67 VE08



© Glen Dimplex UK Limited. All rights reserved. Material contained in this publication may not be reproduced in whole or in part, without prior permission in writing of Glen Dimplex.